

# Static Bollards

Ferrocast



Ferrocast Deansgate bollards with yellow reflective bands, Manchester Central Arena



Ferrocast root fixed and removable Seaham bollards, Bewdley, Worcestershire.

Ferrocast is an engineering grade polyurethane which was originally developed for use in the mining, quarrying and North Sea Oil Industries. Its success in such harsh environments provided proof that the material would be ideal for the manufacture of street furniture capable of withstanding the rigours of the modern urban environment.

The durability of Ferrocast makes it a preferred material in the specification of street furniture. It provides a longer maintenance free life span, which helps to reduce ongoing costs.

Ferrocast Bollards are manufactured from high quality polyurethane and cast around an internal steel core for added strength. The extremely strong, non-ferrous exterior ensures that the bollards will not rust, corrode or degrade to the effects of the surrounding environment. These properties make Ferrocast ideal for coastal applications, where high levels of saline are present.

Bollards are supplied with a standard finish of a black, two part polyurethane coating, which chemically bonds itself to the Ferrocast. A pigment is also added to the polyurethane during the coating process, making it the same colour as its paint finish. This ensures that any chip or abrasion damage to the bollard will not be visibly noticeable. A full range of RAL colours is available.

Ferrocast bollards are available in a vast range of styles to complement any landscape. The following section provides only a small selection of the many styles available. For information on the full range of Ferrocast bollards, please contact our sales office.

#### Fixing:

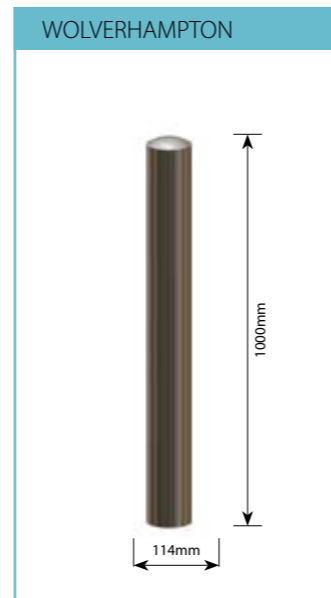
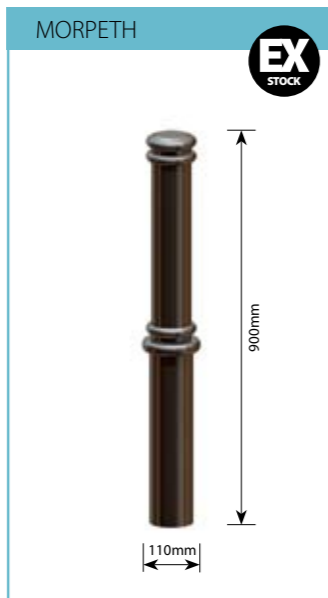
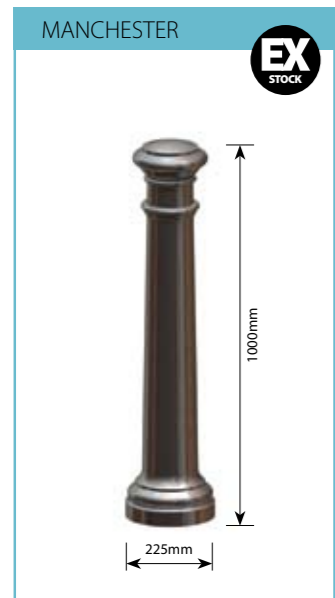
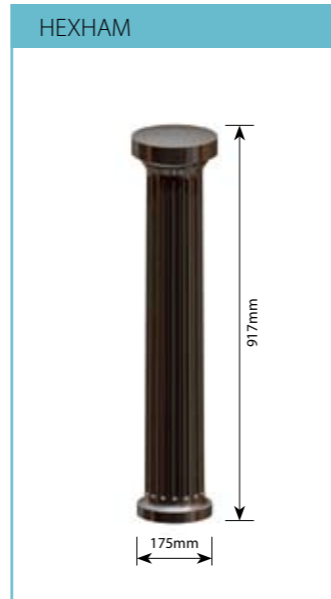
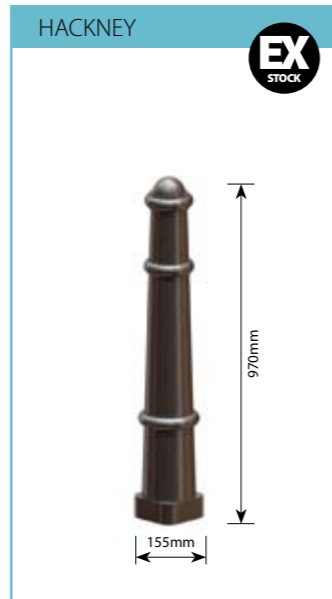
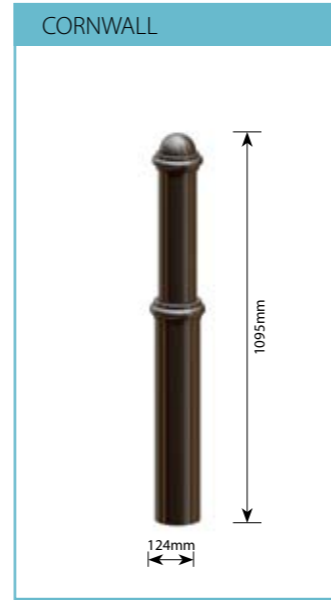
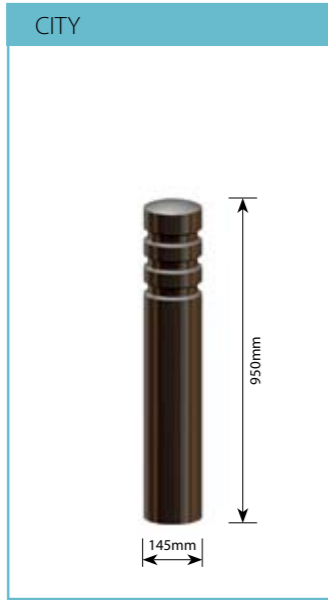
Root fixing is offered as standard. Base plate fixings and a removable option are also available for most Ferrocast bollards.

#### Options:

Marshalls offer a range of options to tailor the bollards to your individual needs. These include reflective discs, a second colour, coats of arms, crests and logos.

#### Bespoke Design service:

In addition to our standard range of Ferrocast bollards, Marshalls also provide a bespoke design service. We can design and manufacture bollards to a specific brief, to fit in with any project or scheme. We are also able to re-create existing cast iron bollards in Ferrocast. Please contact our sales office for more details.



# Static Bollards

Ferrocast



Ferrocast Anti Ram Bollards, PC World, Lancaster

## Anti Ram

Ferrocast bollards can be manufactured to an anti ram specification for applications requiring maximum security. Anti ram bollards are moulded around several steel inner cores for increased strength and optimum performance on impact.

Marshalls are an approved supplier to several major retailers who specify Ferrocast anti ram bollards at their many superstores, retail parks and supermarkets.

Product Description	Product Code	Diameter	Overall Length (mm)	HAG (mm)	Weight (kg)	Options								
						Fixing Method		Options				Add Ons		
						Base Plate	Removable	Anti Ram	Reflective Tape	Ballotini Ring	Hand Paint	Signs	Locking Socket	Chain Connectors
Cheltenham	BL176	165	1520	1220	20	■	■	■	■	■	■	■	■	■
City	BL196	145	1250	950	24	■	■	■	■	■	■	■	■	■
Clapham Junction	BL208	125	1300	1000	15	■	■	■	■	■	■	■	■	■
Cornwall	BL228	124	1395	1095	17	■	■	■	■	■	■	■	■	■
Deansgate*	BL256	115	1440	1140	21	■	■	■	■	■	■	■	■	■
East Sussex	BL296	168	1215	915	17	■	■	■	■	■	■	■	■	■
Hackney	BL348	155	1270	970	20	■	■	■	■	■	■	■	■	■
Hexham	BL372	175	1217	917	22	■	■	■	■	■	■	■	■	■
Manchester	BL432	225	1265	965	21	■	■	■	■	■	■	■	■	■
Morpeth	BL452	110	1200	900	12	■	■	■	■	■	■	■	■	■
Seaham*	BL528	150	1150	850	19	■	■	■	■	■	■	■	■	■
Stockport	BL552	190	1515	1215	35	■	■	■	■	■	■	■	■	■
Wolverhampton	BL602	114	1300	1000	16	■	■	■	■	■	■	■	■	■
Dixon Anti Ram	BL272	155	1300	1000	34		■	■				■	■	■

\* Deansgate and Seaham bollards shown in situ on pages 13 and 14